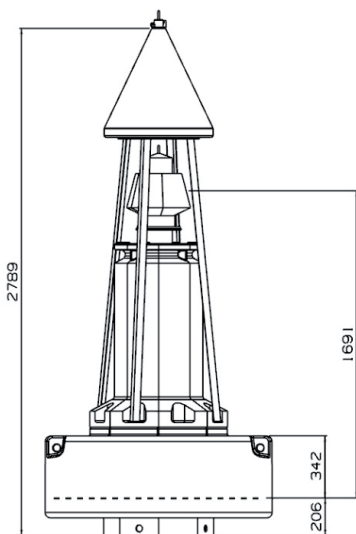


TMS1250 RM Navigation Buoy

TMS1250 RM Features

- One Piece Float Section
- Excellent Stability
- Ideal for shallow water
- Easy Handling
- Base steel skirt optional



SPECIFICATIONS

APPLICATION	COASTAL, ESTUARY, RIVER
Super structure material	Double Skin Rotational Moulded Modular
Central core	Galvanized Steel
Float collar diameter	1250 mm
Max overall height	2789 mm
Overall weight	212 kg
Reserve buoyancy	650 kg
Max focal plane	1691 mm
Freeboard	342 mm
Draught	206 mm
Visible area	2.4 m ²
Maximum mooring weight	150 kg
Minimum mooring weight	80 kg

