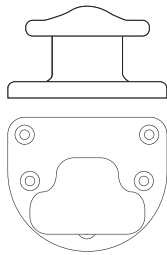
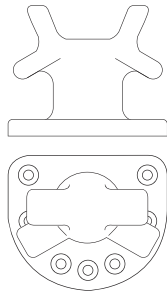
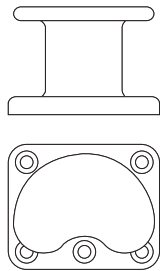
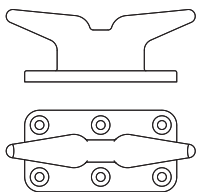
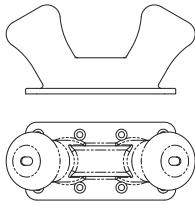
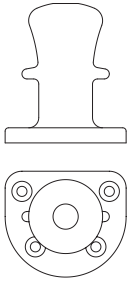
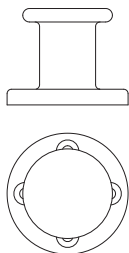



Bollard Project Requirements

PROJECT DETAILS	PROJECT STATUS
Port	TMS Ref:
Project	<input type="checkbox"/> Preliminary
Designer	<input type="checkbox"/> Detail Design
Contractor	<input type="checkbox"/> Tender

BOLLARD TYPE

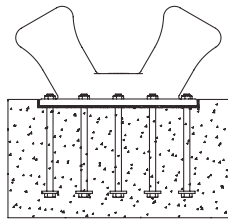
<input type="checkbox"/> Tee bollard 	<input type="checkbox"/> Horn bollard 	<input type="checkbox"/> Kidney bollard 	
<input type="checkbox"/> Cleat bollard 	<input type="checkbox"/> Double bitt bollard 	<input type="checkbox"/> Single bitt bollard 	<input type="checkbox"/> Pillar bollard 

Quantity _____ No.	Capacity/SWL _____ t
--------------------	----------------------

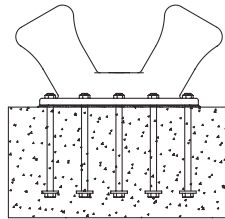
LINE ANGLE	
	Min _____ deg
	Min _____ deg

MOUNTING TYPE

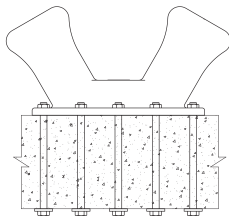
Recess mounting type



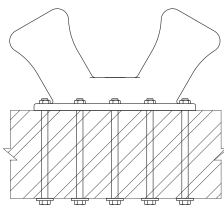
Surface mounting type



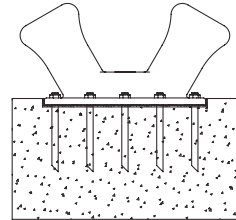
Through bolting type



Steelwork type



Retrofit mounting type



Bollard material type	Anchor material type	Bollard coating system
<input type="checkbox"/> SG Cast Iron (TMS Std)	<input type="checkbox"/> Structural HDG (TMS Std)	ISO12944 C5-M Med (TMS Std)
		<input type="checkbox"/> 2-pack Epoxy Coat 300 microns
<input type="checkbox"/> Cast Steel	<input type="checkbox"/> Stainless Steel	ISO12944 C5-M High
		<input type="checkbox"/> Zinc Primer 80 microns plus 2-pack Epoxy Coat 240 microns

FURTHER DETAILS AVAILABLE FROM

Name	Tel
Company	Fax
Position	Mobile
Address	Email
	Web

OTHER INFORMATION

Should you find that Trelleborg's bollard range does not meet all of your mooring application requirements, please consider Trelleborg's 'Smart Bollard', 'Quick Release Hook Compact' or 'Quick Release Hook Standard' series.

You may send in your project requirements to: performancepeople@trelleborg.com